

HIT Series

by



In-Line Centrifugal Fans

- Residential
- Commercial
- Light Industrial



HIT Series features:

- Size from 100 to 315mm.
- External Rotor Motor Driven.
- Single Speed.
- Galvanised Sheet Steel Body.
- Backward Curved Centrifugal Impeller.
- Manual Thermal Reset.
- IP44 Protection.
- 220-240 Volts 50Hz.
(60Hz available on request)
- Speed Controllable.
- Easily installed – standard duct sizes.
- Range of accessories.

Suitable for Exhaust and Supply applications:

- Toilets.
- Kitchens.
- Bathrooms
- Offices.
- Restaurants.
- Equipment Cooling.

Brought to you by...



ELTAFANTECH ASIA Sdn. Bhd.
No.10-1, Jln PJU 3/46
Sunway Damansara Technology
Park,
47810 Petaling Jaya, Selangor,
Malaysia.
Tel: +60 3 7803 5504
Fax: +60 3 7803 5344
Internet: www.eltafantechasia.com
Email: info@eltafantechasia.com

A member of The Elta Group.

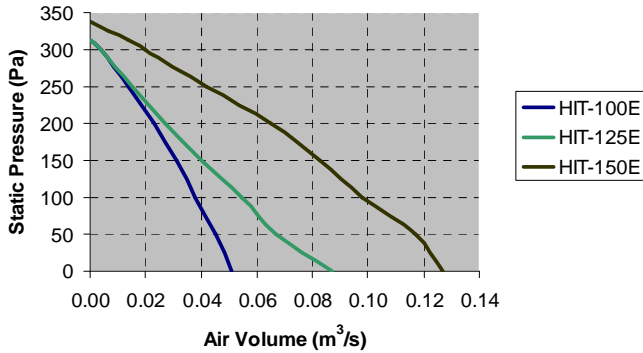
HIT Series

In-Line Centrifugal Fans by **hydor**

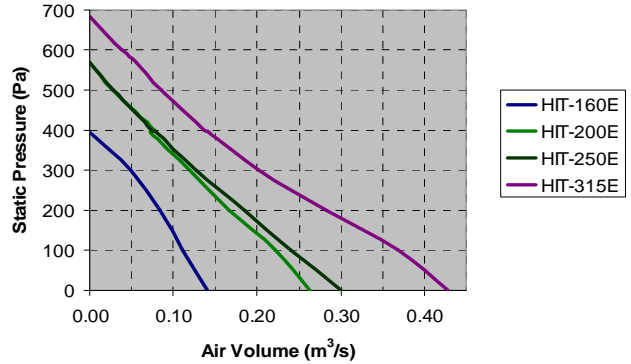
The HIT series of duct mounted centrifugal in line fans is suitable for a wide range of residential, commercial and industrial applications. Using a high quality external rotor motor, the HIT series fans provide a maintenance free solution for the user.

Air Performance and Technical Data

HIT Performance Curve for Size 100 to 150



HIT Performance Curve for size 160 to 315

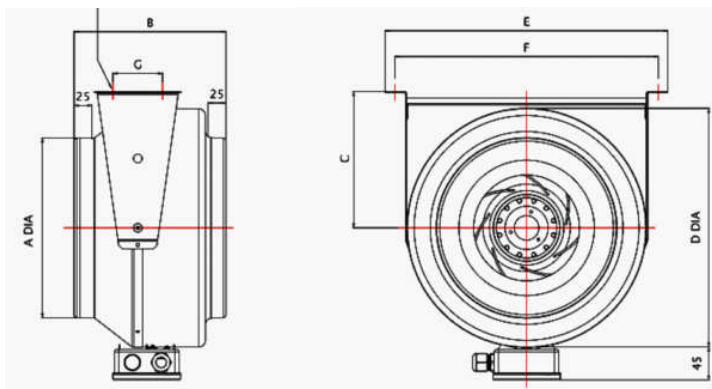


Model Number	Fan Speed rev/sec	Avg dB(A) @ 3m	Input Watts	FL Amps
HIT-100E	43	47	65	0.30
HIT-125E	43	47	70	0.30
HIT-150E	43	48	70	0.30
HIT-160E	43	49	70	0.32
HIT-200E	41	51	170	0.70
HIT-250E	41	51	170	0.70
HIT-315E	41	52	250	1.20

- Galvanised Sheet Steel Body.
- Backward Curved Centrifugal Impeller.
- Manual Thermal Reset.
- IP44 Protection.
- 220-240 Volts 50Hz.
(60Hz available on request)

2 holes in each bracket
 Sizes 100-160, Ø4 mm.
 Sizes 200-315, Ø5 mm.

Dimensional Data



Model	A	B	C	D	E	F	G	Weight (kg)
HIT-100E	98	204	130	236	284	270	47	3.7
HIT-125E	123	193	130	236	284	270	47	3.7
HIT-150E	148	195	165	278	326	312	47	3.6
HIT-160E	158	195	165	278	326	312	47	3.6
HIT-200E	198	235	190	333	392	372	100	5.5
HIT-250E	248	210	190	333	392	372	100	5.3
HIT-315E	313	265	227	400	460	440	100	8.1

- All dimensions in mm.
- Bracket shown is optional accessory.

As part of ongoing program of product development and improvement, Eltafantech Asia reserves the right to make changes in design and specification to products without notice or obligation and to change or discontinue models.

Our local representative in your country: